



Kitchen. Design & Technology

## Achat induction cooktop

MADE IN GERMANY

### Product information

Achat is innovative and gives you the possibility to operate your ceiling hood via the control integrated in the hob. No more need to move the remote control. Of course, the stylish design and high-quality technology of benthaus is also evident here.

#### High-End Design

The jewel of every kitchen. The minimalist design fits into any kitchen design and upgrades your kitchen stylishly.

#### Connectivity

With the connectivity function, you can control your ceiling hood via your cooktop. A simple and quick control where you no longer need a remote control or batteries.

#### Intuitive control

The clear white of the touch control and the automatic pot recognition show you at any time which cooking zone you are currently using.

#### Bridge function and temperature zones

With the help of the bridge function, 2 fields can be coupled. This means that even larger roasters can be easily accommodated. Defined temperature levels allow you to grill vegetables, meat and fish at the optimum temperature.

## Product data

### Design:

Flush & surface mounting possible  
Narrow & compact dimensions  
Modern cooking zone labeling

### Features & Functions:

Automatic boil-on function  
Power level for each cooking zone  
Bridge function  
Automatic pot detection  
Timer  
Clear cooktop layout thanks to interactive Flex Slider Touch  
Melt setting 42°, heat holding setting 70°, simmer setting 94°  
Pause & recall function  
Connectivity

### Included:

Induction hob  
Connection cable  
Instructions for use & assembly  
Sealing tape  
Cooking tongs  
Microfiber cloth

### Safety:

Interlock, child safety lock, safety shutdown,  
Sensor circuit / Flex Slider, residual heat indicator

### Unit dimensions (W x H x D) & weight (kg):

800 × 50 × 520 mm  
15 kg

### Cutout dimensions (W x D):

750 × 490 mm

### Cooking zones:

#### 4 induction cooking zones

190 × 220 mm, 2,1/3,7 kW

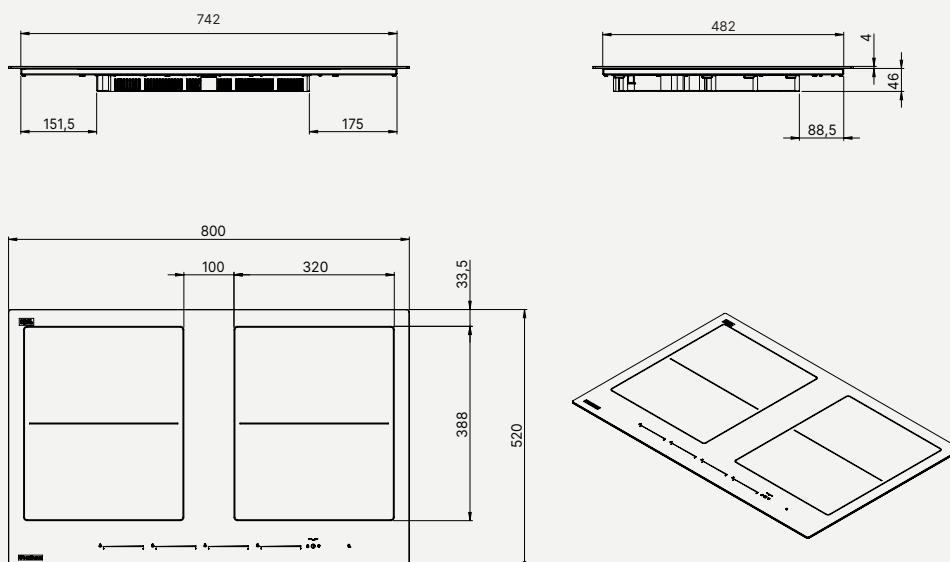
#### Bridge function

390 × 220 mm, 3,7 kW

### Connection values:

Voltage AC 220-240 V / 2NAC 400 V, 50/60 Hz  
Power 7,4 kW

## Technical drawings



## Produktdaten

### Design:

Hochwertiges Edelstahl-Design mit LED-Beleuchtung & Connectivity zum Kochfeld Achat.

### Ausführungen und Gerätemaße (B x H x T):

900 × 200 × 520 mm

### Ausstattung & Funktionen:

800 m<sup>3</sup> / h Kapazität  
EBM-EC Motor  
Geräuschpegel 34 - 49 dBA (46 - 63 dB)  
Fettfilter aus Edelstahl / Alu-Rahmen  
LED-Leuchte LUCA fest warmweiß  
Beleuchtung Dimmbar  
Interner Motor  
Touch-Tasten und Fernbedienung  
Nachlauf Lüfter

### Geeignet für:

Abluft  
Umluft (Kohlefilter oder Plasmafilter dazu bestellbar)

### Anschlusswerte:

106 Watt  
Estrella kann mit maximal 4 Luca LED Strahler erweitert werden.

### Sicherheit:

Energie - Label: A +

**Estrella ist werksseitig immer mit dem Empfängerbauteil für die Connectivity mit dem Kochfeld Achat ausgestattet.**

Vorschau der Haube

